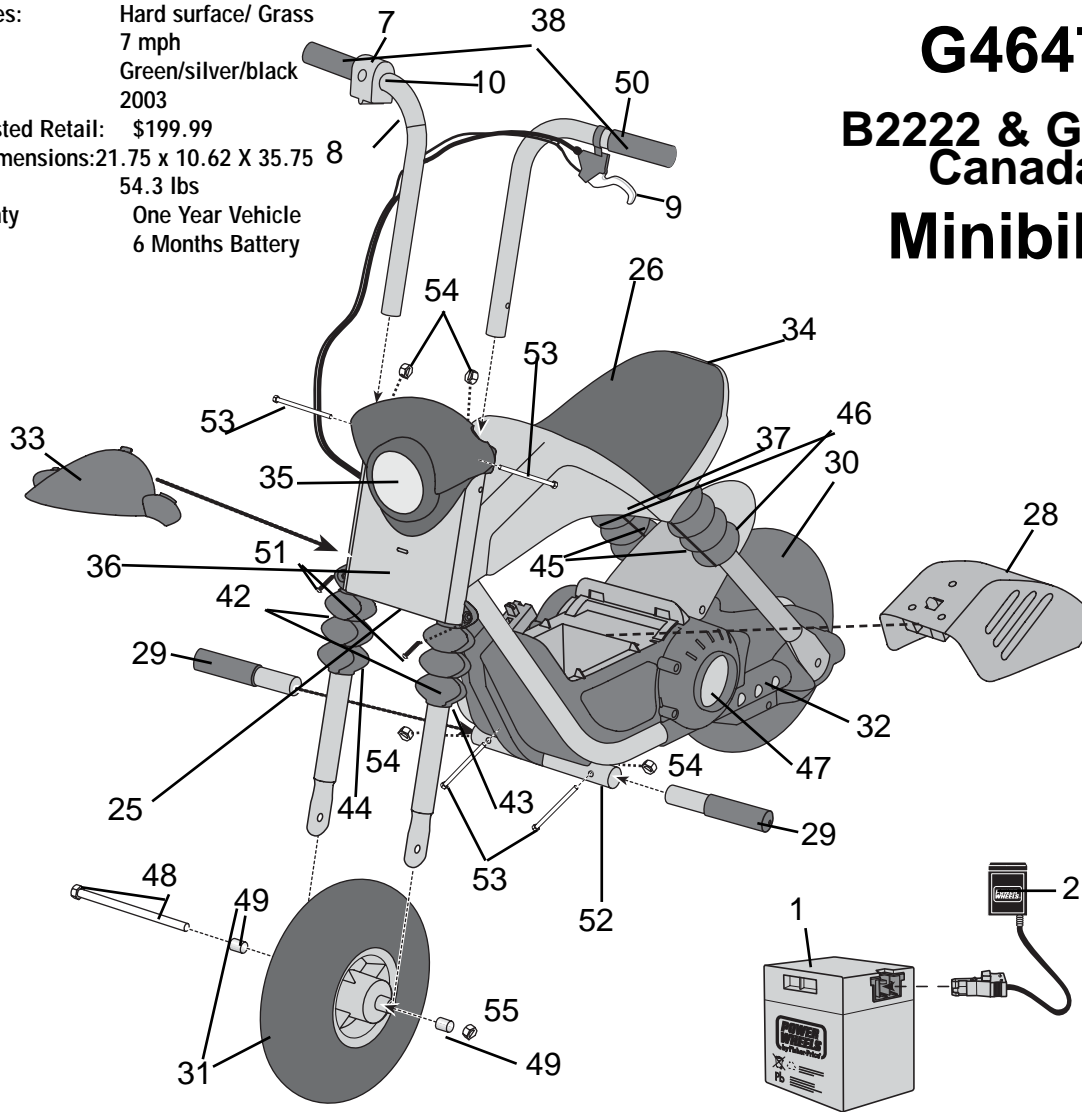


Age Range: 6 and up  
 Weight Limit: 150 lbs.  
 Surfaces: Hard surface/ Grass  
 Speed: 7 mph  
 Colors: Green/silver/black  
 Intro: 2003  
 Suggested Retail: \$199.99  
 Box Dimensions: 21.75 x 10.62 X 35.75 8  
 54.3 lbs  
 Warranty: One Year Vehicle  
 6 Months Battery

# 73535 & G4647

## B2222 & G4882 Canada

### Minibike



Rev. 04/23/04

| Item No.                          | Description  | Part No.          | Qty. | Item No.                      | Description  | Part No.          | Qty.     | Item No.               | Description                   | Part No.          | Qty. |
|-----------------------------------|--|-------------------|------|-------------------------------|--|-------------------|----------|------------------------|-------------------------------|-------------------|------|
| <b>Working / Electrical Parts</b> |  |                   |      | <b>37.</b>                    | <b>Tank Cover minus seat</b>                           | <b>73535-2629</b> | <b>1</b> | <b>Parts Not Shown</b> |                               |                   |      |
| 1.                                | *Battery 12V 9.5 Amp (Use 12V 12 Amp As Replacement) | 00801-0638        | 1    | 38.                           | Hand Grips N/A (See #'s 10 & 50)                       | 73530-2239        | 2        | 28.                    | Battery Cover Assembly        | 73535-9069        | 1    |
| 2.                                | Charger w/Probe                                      | 00801-0972        | 1    | 42.                           | Front Shocks Outer (L & R)                             | 73535-2449        | 2        | 33.                    | Front Fender                  | 73535-9019        | 1    |
| 3.                                | <u>Motor w/Idler Pulley</u>                          | <u>00968-9006</u> | 1    | 43.                           | Left Front Shock Rear                                  | 73535-2439        | 1        | 34.                    | Rear Reflector N/A            | (Order Lit bag)   | 1    |
| 6.                                | <u>Battery Harness Assembly</u>                      | <u>73535-9559</u> | 1    | 44.                           | Right Front Shock Rear                                 | 73535-2459        | 1        | 35.                    | <u>Headlight Assembly</u>     | 73535-0310        | 1    |
| 7.                                | <u>Turbo switch</u>                                  | <u>73535-9549</u> | 1    | 45.                           | Back Rear Shock-Inner                                  | 73535-2649        | 2        | 36.                    | Front Fork                    | 73535-2609        | 2    |
| 8.                                | <u>Handlebar Throttle Tube N/A</u>                   | <u>73535-4029</u> | 1    | 46.                           | Back Rear Shock Outer                                  | 73535-2659        | 2        | 37.                    | Tank Cover                    | 73535-4069        | 1    |
| 9.                                | <u>Brake</u>   | <u>73530-9119</u> | 1    | 47.                           | Reflector/Housing N/A                                  | N/A               | 2        | 38.                    | Hand Grips                    | (Order Lit Bag)   | 1    |
| 10.                               | <u>Assmly Turbo Throttle w/hand grips</u>            | <u>73535-9029</u> | 1    | <b>Hardware / Metal Parts</b> |  |                   |          | 39.                    | PC Board                      | 73535-9539        | 1    |
| <b>Plastic / Other Parts</b>      |  |                   |      | 48.                           | Front Axle w/(1) Nyloc Nut                             | 73535-4499        | 1        | 40.                    | Tire Tube-Rear                | 73530-2359        | 1    |
| 25.                               | Body   | N/A               |      | 49.                           | Spacer (Ord front wheel assembly)                      |                   | 2        | 41.                    | Drive Belt                    | 73530-2289        | 1    |
| 26.                               | <u>Seat Assm.</u>                                    | <u>73535-9639</u> | 1    | 50.                           | <u>Handlebar brake tube w/hand grips</u>               | <u>73535-9339</u> | 1        | 42.                    | Tire Tube-Front               | 73530-2259        | 1    |
| 28.                               | Battery Cover Assembly                               | 73535-9329        | 1    | 51.                           | 8 X 1" Screw   | 0912-8003         | 2        | 43.                    | <u>PIC Switch-push button</u> | <u>00801-1198</u> | 1    |
| 29.                               | Foot Pegs  | 73535-2619        | 2    | 52.                           | Footpeg tube-(metal)                                   | 73535-4469        | 2        | 44.                    | Head Tube-Sleeve              | 73535-4459        | 1    |
| 30.                               | <u>Rear Wheel Assm.</u>                              | <u>73535-9349</u> | 1    | 53.                           | 1/4-20 x 1 1/2" 1 9/16" Bolt N/A                       | 73535-4489        | 4        | 45.                    | Head Tube Bushing             | 73535-2609        | 2    |
| 31.                               | Front Wheel Assm (includes spacers (bushings))       | 73535-9249        | 1    | 54.                           | 1/4-20 7/16 Nyloc Nut N/A (order parts bag-73535-9069) | 73530-4449        | 4        | 46.                    | Brake Assembly                | 73530-9259        | 1    |
| 32.                               | <u>Brake Guard</u>                                   | <u>73535-2789</u> | 1    | 55.                           | 1/2-13 Nyloc Nut ( 9/16")                              | 73535-4479        | 1        | 47.                    | Rear Axle                     | 73535-4099        | 1s   |

N/A = Not Available \*Produced w/either 12V, 9.5 amp or 12V, 12 amp battery. Use 12V, 12 amp as replacement battery.

**Bold and Underlined parts are to be purchased and installed by Service Centers only. These items may not be sold directly to consumers by Service Centers or Fisher-Price.**